



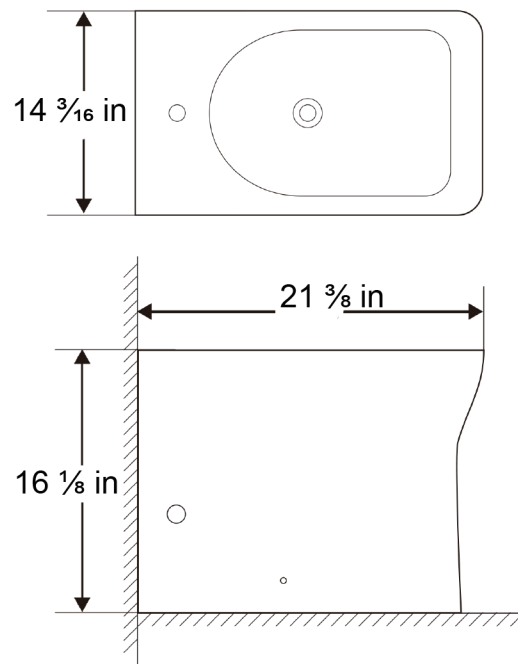
BSN-CL12248F



TOILETS **SERIES**



**BSN-CL12248F**



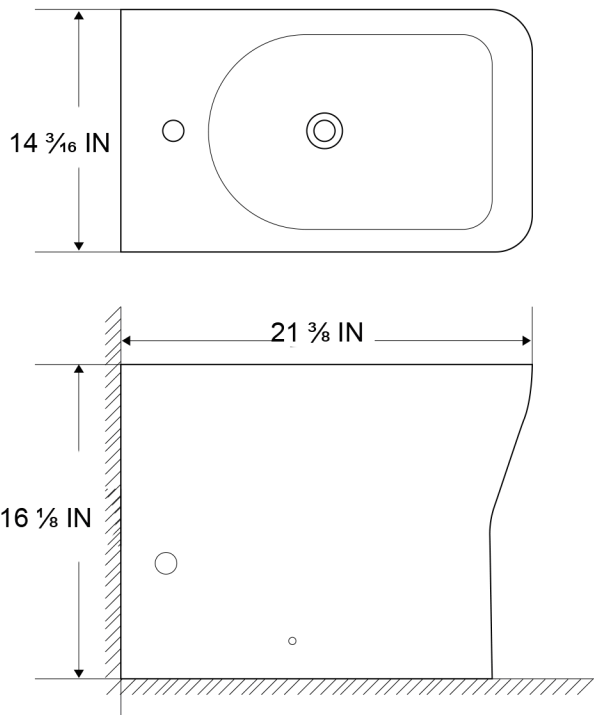
## FEATURES

- Ceramic material
- White gloss finish
- Faucet not included
- Floor mount
- Size: W  $14 \frac{3}{16}$ " x H  $16 \frac{1}{8}$ " x D  $21 \frac{3}{8}$ "





For a side by side toilet and bidet installation, it is required to have a separation of 24" (610mm) between units.



**1** A trap is not supplied with the bidet. For installation of a trap in the floor, provisions must be made.  
  
Water supplies need to be at least 6" (152mm) to the left and right of the bidet center line. Make sure to slip the chrome trim plate on piping before attaching the supply stop valves.

**2** Carefully set the bidet while making sure that the drain tube is inserted into the waste pipe. After assuring the bidet has been centered and is level, this connect should be sealed either by compression or sweat connection.

**3** Place the wood screws through the plastic snap-on bases then through the screw holes at the base of the bidet. With a screwdriver tighten the screws 1/2 turn. (**DO NOT OVER-TIGHTEN** as you may break the foot of the bidet.) Finally, snap on the bolt caps.

**4** Connect the hot/cold supplies to the hot/cold valve bodies located on the bidet. Next, turn on the bidet and turn on the water. Check for leaks. If needed tighten the compression

**5** Waterproof caulking around the base is recommended to seal the bidet to the floor.

For parts or sale requirements please contact our customer service department:

 [CS@daxib.com](mailto:CS@daxib.com)

 1 888 685 8236